

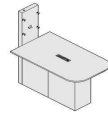
## TECHNICAL SPECIFICATION

### COLOURS

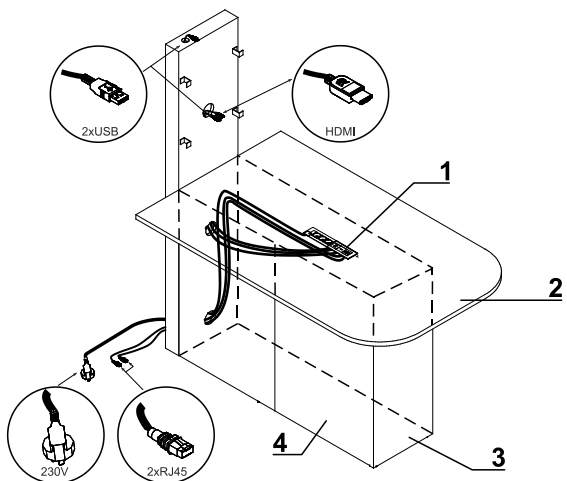
MS01



67 WHITE PASTEL

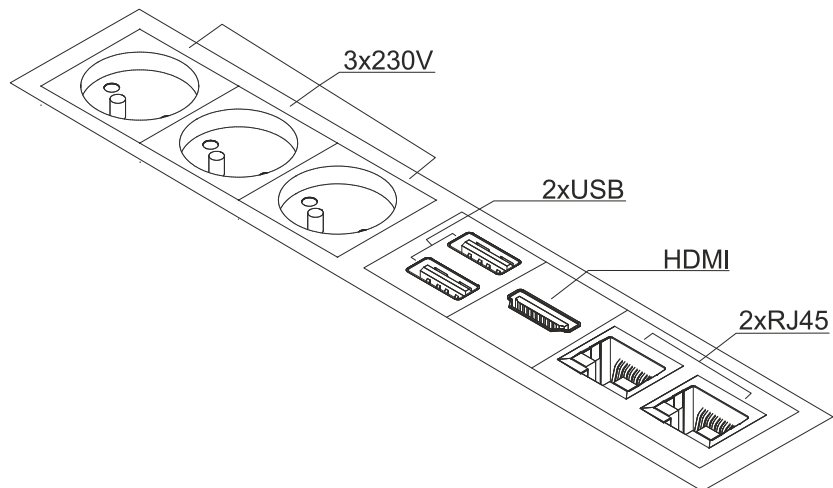


## TECHNICAL SPECIFICATION



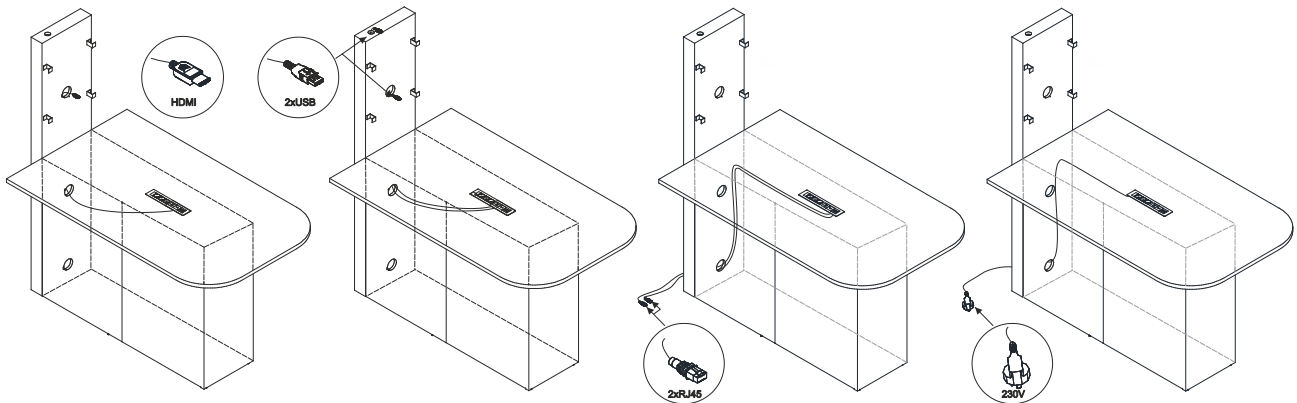
1. Mediabox
2. **Worktop** - MFC 28mm, PVC edge
3. Base and front MFC 28mm, PVC edges
4. **Front** - 'Push - to -Open', MFC 18mm, PVC edge

## MEDIABOX

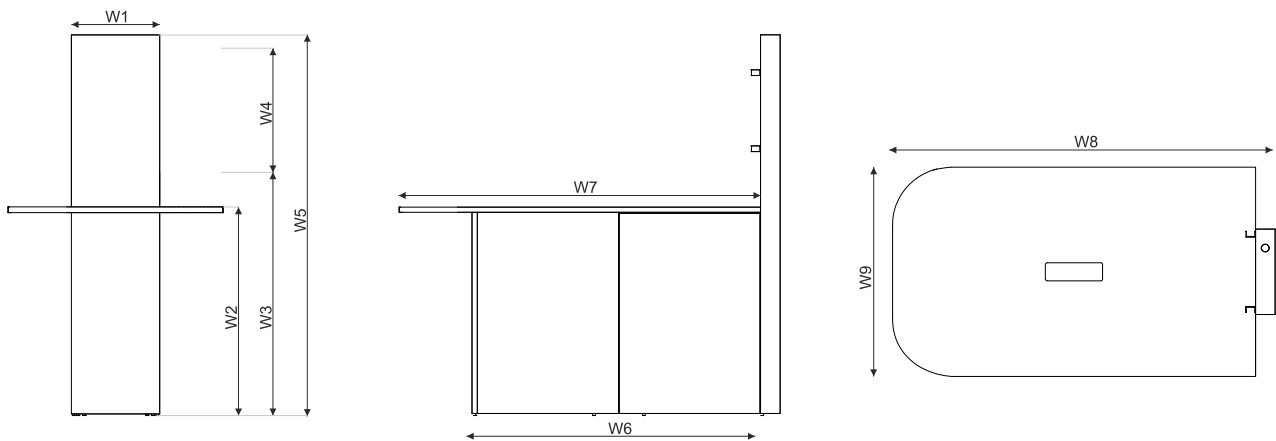


TECHNICAL SPECIFICATION

CABLE MANAGEMENT



DIMENSIONS



W1 - 450 | W2 - 1100 | W3 - 1282 | W4 - 655 | W5 - 2000 | W6 - 1478 | W7 - 1850 | W8 - 1950 | W9 - 1100

PRODUCT ILLUSTRATION	DIMENSIONS [mm]			INDEX SYMBOL						COMMENTS
	WIDTH	DEPTH	HEIGHT			kg	m3	pcs		
<b>MULTIMEDIA STAND</b>										
	1100	1950	2000	<b>MS01</b>		117.0	0.299	4		